

A Special Robust Solution for Battery Based Power Supply

György Györök¹, Tihomir Trifonov², Alexander E. Baklanov³, Bertalan Beszédes¹
Svetlana V. Grigoryeva³, Aizhan Zhaparova³

1 Óbuda University, Alba Regia Technical Faculty, Budai Str. 45, H-8000 Székesfehérvár
{gyorok.gyorgy, bertalan.beszedes}@amk.uni-obuda.hu

2 St. Cyril and St. Methodius University of Veliko Tarnovo,
Department of Computer Systems and Technologies and National Military University Vasil Levski,
Department of Communication and Information Systems, Veliko Tarnovo, Bulgaria
tihomirtrifonov@ieee.org

3 D. Serikbayev East Kazakhstan State Technical University
Instrument Engineering and Technology Automation, Protozanov Str. 69, Ust-Kamenogorsk, Kazakhstan
ABaklanov@ektu.kz, sgrigorieva@inbox.ru, atj-43@mail.ru

Abstract—The use of mobile devices has become general, their spread is self-evident. As a Power-source either an accumulator or a battery is used. (The next, we do not differentiate between the rechargeable accumulator and battery, only referring to a battery.) In either case, if the devices do not work, do not work properly, replace them. In either case, if the electronic devices do not work, do not work properly, the batteries are charge, or we replace batteries.

In this paper, we examine whether a discharged battery is really empty. If not, what can be more possible to extract from it the total energy. All of these activities as a result of power supply devices and mobile devices become more robust operation.

I. INTRODUCTION

The usual approach to the battery power-supply model is shown in Figure (1). On the figure U_g is source voltage of the chemical cells, R_g the internal resistance of the battery, R_l is internal resistance of the device, of load, U_l is voltage of load.

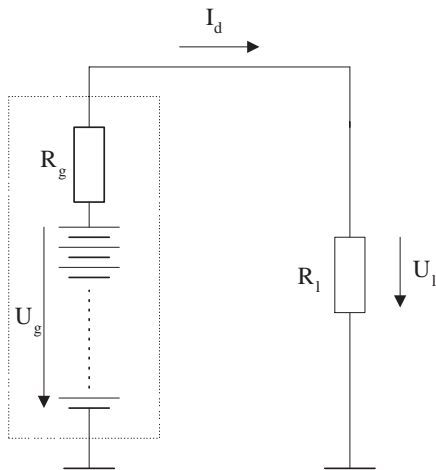


Fig. 1. Usual battery based power-supply model.

During the operation, I_d discharge current flows according equation 1;

$$I = \frac{U_g}{R_g + R_l} e^{-\frac{t}{C_b(R_g + R_l)}}; \quad (1)$$

where C_b is capacity of battery. If we put on that voltage (U_b), and current (I_b) of capacitor are constant, can be calculated value of stored energy with equation 2;

$$E = U_b \cdot I_b \cdot t. \quad (2)$$

As we know the greatness in a capacitor stored energy is in equation 3

$$E = \frac{1}{2} C_b U_b^2. \quad (3)$$

For example if a battery has 1,5V source voltage, and 2000mAh capacity, by equation 2 can calculate stored energy, it is 10800J. Wit equation 3 from result of equation 2 is calculable capacity of battery, it is in example; 9,6kF.

Thus, on the basis of the model of Figure (1) is an approximate function of time can define to the battery voltage changes at continuous discharge (equation 4).

$$U_l = U_g \cdot e^{-\frac{t}{C_b(R_g + R_l)}}. \quad (4)$$

In the figure (2) is shown as a function of battery voltage in time at discharge [14].

The equations that are used previously (equations 2 and 3), have a significant approximations. If you are an approximation

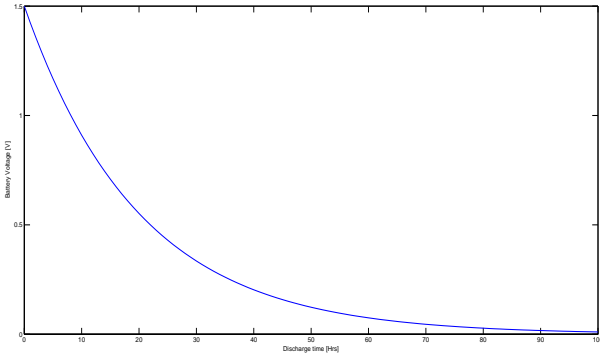


Fig. 2. The change voltage of the battery at discharge in idealized state.

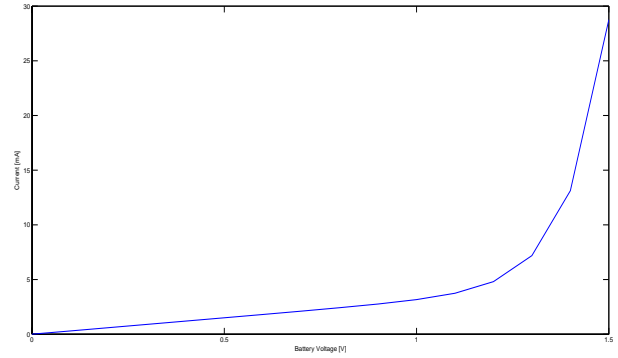


Fig. 4. supply voltage and supply current characteristics of a MP3 player electronic equipment in standby mode.

of the physical, electronically content to be carried out, it would be the correct way to write these (5, 6).

$$E = \int_0^T (U(t) \cdot I) dt. \quad (5)$$

$$E = \frac{1}{2} C_b \int_0^T (U(t)^2) dt. \quad (6)$$

Together with the previous approaches can be applied, in terms of further examinations.

II. REALLY MODEL OF ELECTRONIC DEVICES

On Fig. 3 is seen really power relation model of semiconductor based electronic devices [20]. In the figure U_g and R_g are voltage and inner resistance of battery, U_l and R_l equivalent parameters of electronic device.

A typical semiconductor-based electronic devices can operate in the event of a battery voltage is greater than a semiconductor specific threshold voltage (U_s). Its value depends on the type of semiconductor (manufacturing technology of

silicon structures, Schottky or not, BJT or FET... etc.) and the circuit environment [16].

Thus, the electronic equipment from power-supply side is viewed it were an internal voltage generator ($U_s = I_s R_{II}$). It follows that the equipment voltage-current characteristic is nonlinear [15].

Fig. 4 shows a supply voltage and supply current characteristics of a semiconductor-based really electronic equipment [18]. It can be observed that below the threshold voltage the internal resistance is greater (R_{II}) as above (R_{II}).

According in equation 4 described voltage-time function now is definable in equation 7;

$$U_l = (U_g - U_s) \cdot e^{-\frac{t}{C_b(R_g+R_l)}} + U_s, \quad (7)$$

and is seen on Fig. 5.

This also means that at normal application the battery is only to the threshold voltage can discharge [9]. Thus, using the former approach greatness of remaining energy in the battery is (equation 8);

$$E = \frac{1}{2} C_b U_s^2. \quad (8)$$

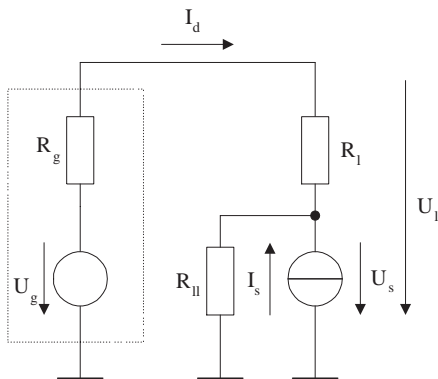


Fig. 3. Really power relation model of semiconductor based electronic devices.

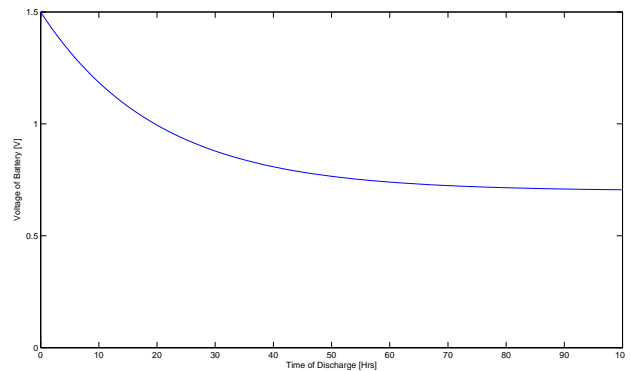


Fig. 5. The discharge characteristic of a battery in case of a semiconductor-based device.

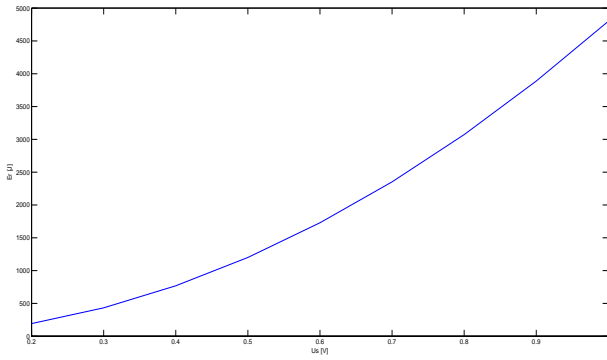


Fig. 6. Remaining energy in function of discharge voltage case at 200mAh battery.

In our previous example, if the $U_s = 0,5V$, and battery capacity is 9,6kF, the rested energy (E_r) is approximately 1200J, and if $U_s = 0,8V$ than $E_r = 3000J$. It is hardly plausibility but this is highly wasteful, inefficient solution, with large environmental component.[13] [17]

Fig. 6 shows a function of remaining energy of battery (E_r) and discharge voltage (U_s).

III. PROPOSED SOLUTION

The appropriate solution is a switching-mode power supply (SMPS) that can operate at very low voltages and on output can produce the desired voltage value, together with own power voltage [5].

The proposed arrangement is shown on Fig. 7. The power supply operates by I_d current of battery and its output produces a stabilized voltage [1]. Because the power supply is also consists semiconductors, so it has its minimum operating voltage (U_{ss}). If manage to achieve that (9);

$$U_{ss} \ll U_s, \tag{9}$$

so from battery obtained energy is larger.

The structure of the proposed power supply is shown on Fig. 8. Battery (U_s, R_s) connect to input of SMPS, and on output is

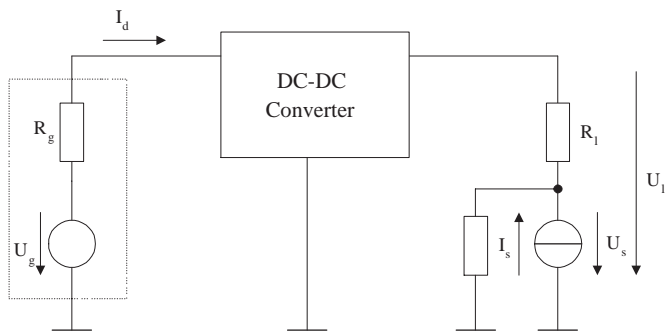


Fig. 7. Proposed arrangement to extracting more energy from battery.

a load (R_l). The power supply unit boost type, therefore, the output voltage may be higher than the input voltage [12].

The pulse width modulation (PWM) unit gets feedback signal from the output, which is also the operating voltage as well [4]. If the PWM control unit opens the FET (T_s), the coil (L_b) builds a magnetic field [2]. If the FET is closed the energy of coil trough a diode (D_s) gets to the load [19]. If the output voltage is too high, the PWM's pulse width decreases, while otherwise grow [3]. C_f a filter capacitor for suppress the high frequency component in DC voltage at output.[6] [7] [8]

So that the a switching-mode power supply unit able work case of low input voltage we must use appropriate semiconductors in position T_s, D_s . Nowadays choice of the appropriate components, this value can be down to 200mV.

And now calculated with the 0,2V voltage at 9,6kF battery 200J is obtained. The results show significant improvement. It is important to note that the power supply's operation need energy, but we are sure that the balance is still high.The robustness of this solution is operating with a lower supply voltage range. [10] [11]

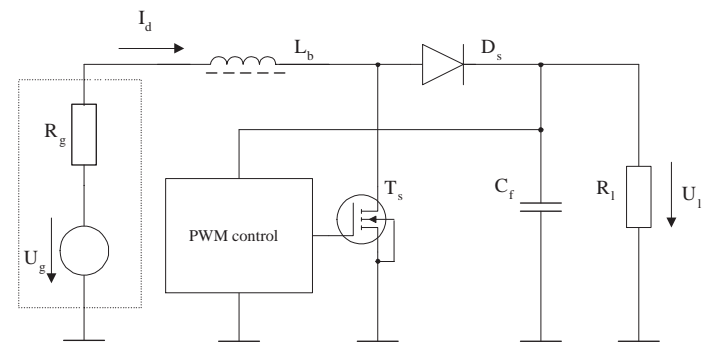


Fig. 8. Structure of boost type switching-mode power supply, with battery and load.

IV. CONCLUSIONS

The price of the devices, because need an additional power supply, is increased, but at expensive devices just a few percent [4].

At proposed method is an important aspect of above discussed discharge voltage levels, power demand of device, how often should replaced batteries.

Further work is needed to elaborating a proposed switching-mode power supply unit [2].

In the future, we will deal with the possibility of a greater operating range, thus increasing the robustness of the method.

REFERENCES

[1] N. Ádám. Single input operators of the df kpi system. *Acta Polytechnica Hungarica*, 7(1):73–86, 2010.
 [2] Gy. Györök, M. Makó, J. Lakner. Combinatorics at electronic circuit realization in FPAA. *Acta Polytechnica Hungarica, Journal of Applied Sciences*, 6(1):151–160, 2009.

- [3] Gy. Györök. Self configuration analog circuit by FPAA. *Proc. 4th Slovakien–Hungarian Joint Symposium on Applied Machine Intelligence (SAMI2006)*, pages 34–37, January 2006.
- [4] Gy. Györök. A-class amplifier with FPAA as a predictive supply voltage control. *Proc. 9th International Symposium of Hungarian Researchers on Computational Intelligence and Informatics (CINTI2008)*, pages 361–368, November 2008.
- [5] Gy. Györök. Crossbar network for automatic analog circuit synthesis. *Proceedings (Liberios Vokorokos, Ladislav Hluch, Jnos Fodor szerk.) of the IEEE 12th International Symposium on Applied Machine Intelligence and Informatics (SAMI 2014). IEEE Computational Intelligence Society, Budapest: IEEE Hungary Section, ISBN:978-1-4799-3441-6*, pages 263–267, January 2014.
- [6] J. Kopják. Dynamic analysis of distributed control network based on event driven software gates. *IEEE 11th International Symposium on Intelligent Systems and Informatics, Subotica, Serbia*, ISBN: 978-1-4673-4751-8;p. 293–297, 2013.
- [7] J. Kopják and J. Kovács. Implementation of event driven software gates for combinational logic networks. *IEEE 10th Jubilee International Symposium on Intelligent Systems and Informatics, Subotica, Serbia*, ISBN: 978-1-4673-4751-8;p. 299–304, 2012.
- [8] K. Lamár. A világ leggyorsabb mikrovezérlője. *ChipCAD Kft.*, page 96, January 1999.
- [9] K. Lamár and Veszprémi K. A mikroszámítógépek térnyerése a villamos hajtások szabályozásában. *Proceedings of the Kandó Conference 2002, Budapest, Hungary*, pages 1–7, January 2002.
- [10] K. Lamár and J. Neszveda. Average probability of failure of aperiodically operated devices. *Acta Polytechnica Hungarica*, 10.(8.):pp. 153–167, 2013.
- [11] L. Madarász and Zivcak J. Aspects of computational intelligence: Theory and applications. *Revised and Selected Papers of the 15th IEEE International Conference on Intelligent Engineering Systems 2011, Springer-Verlag, Berlin Heidelberg*, ISBN 978-3-642-30667-9;p. 436, 2011.
- [12] L. Madarász and Fözö R. Intelligent technologies in modelling and control of turbojet engines. *New Trends in Technologies : Control, Management, Computational Intelligence and Network Systems, Rijeka, Croatia*, ISBN 978-953-307-213-5;p. 17–38, 2011.
- [13] T. Orosz. Analysis of sap development tools and methods. *15th IEEE International Conference on Intelligent Engineering Systems (INES)*, pages pp. 439–443, 2011.
- [14] Malcolm Bailey David A. Foster Peter R. Green, Peter N. Green. Design and delivery of a microcontroller engineering teaching theme. *International Journal of Electrical Engineering Education*, 50.(3.):pp. 231–238, 2013.
- [15] A. Pilat and J. Klocek. Programmable analog hard real-time controller [programowalny sterownik analogowy]. *Przegląd Elektrotechniczny*, 89(3 A):38–46, 2013. cited By (since 1996) 0.
- [16] Adam Pilat. Control toolbox for industrial programmable analog controllerembedding state feedback controller. pages 1–4, 2012.
- [17] A. Selmei and T. Orosz. Usage of soa and bpm changes the roles and the way of thinking in development. *IEEE 10th Jubilee International Symposium on Intelligent Systems and Informatics (SISY)*, pages pp. 265–271, 2012.
- [18] S. Sergyán. Useful and effective feature descriptors in content-based image retrieval of thermal images. *LINDI 2012 - 4th IEEE International Symposium on Logistics and Industrial Informatics, Proceedings*, pages 55–58, 2012.
- [19] Z. Vámosy. Thermal image fusion. *2012 IEEE 10th Jubilee International Symposium on Intelligent Systems and Informatics, SISY 2012*, pages 385–388, 2012.
- [20] L. Vokorokos, N. Ádám, and B. Madol. The process control for p-single operators. *19th International Workshop on Robotics in Alpe-Adria-Danube Region, RAAD 2010 - Proceedings*, pages 119–123, 2010.